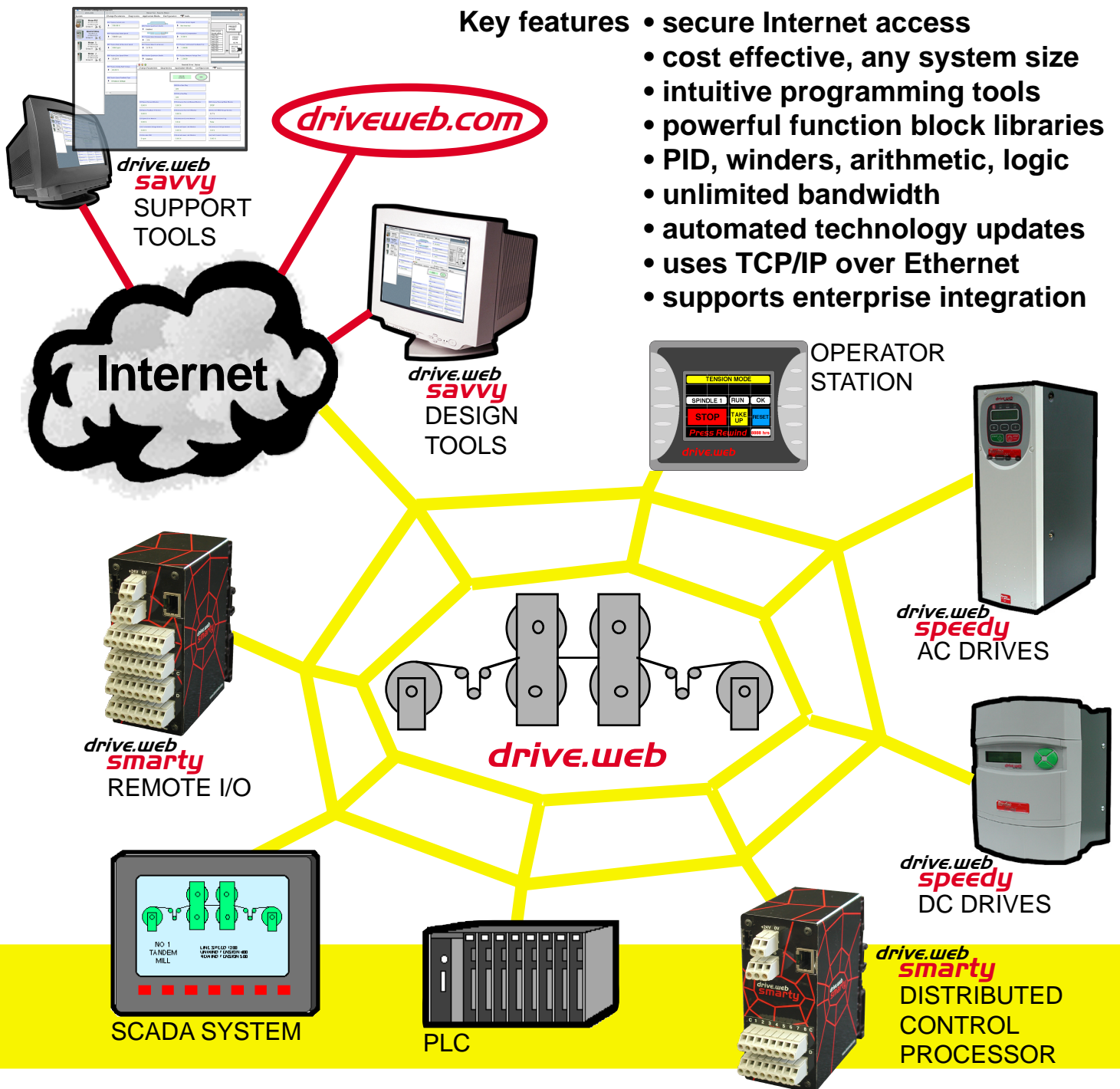


# drive.web

smart, online, distributed control technology

**drive.web** is an entirely new Internet accessible distributed control technology from **Bardac Corporation** optimized for high performance AC and DC drive systems. After extensive testing in applications as diverse as printing presses, coating lines, slitter rewinders, dairies, non-woven fabric lines and pre-preg lines **drive.web** has proved to offer unequalled performance and complete reliability.

- Key features**
- secure Internet access
  - cost effective, any system size
  - intuitive programming tools
  - powerful function block libraries
  - PID, winders, arithmetic, logic
  - unlimited bandwidth
  - automated technology updates
  - uses TCP/IP over Ethernet
  - supports enterprise integration



# drive.web smarty alone or networked

## New concept in distributed control for drive systems

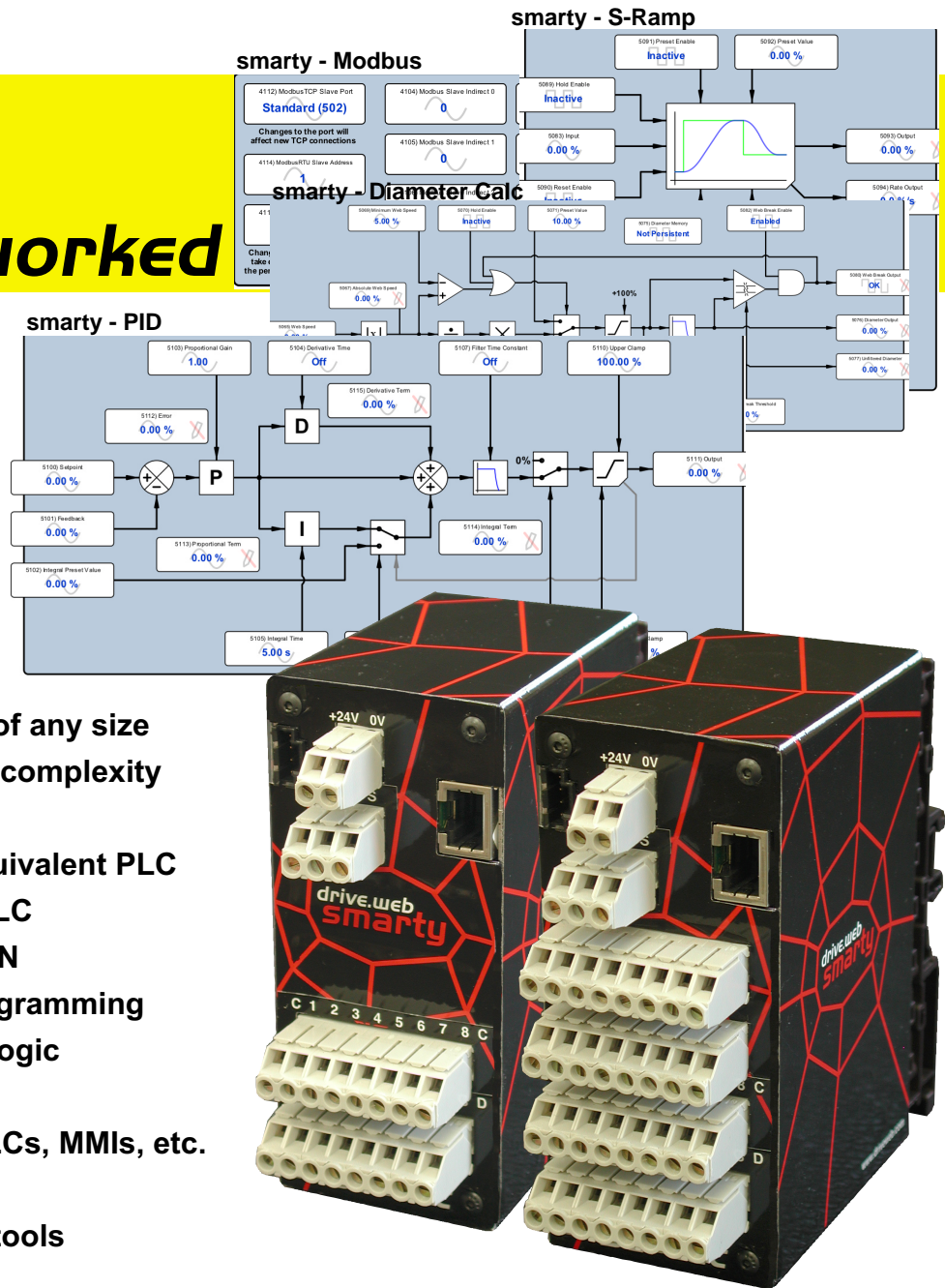
- Cost effective for systems of any size
- Build systems of unlimited complexity
- Internet multi-user access
- Less expensive than an equivalent PLC
- Easier to program than a PLC
- Stand alone or Ethernet LAN
- Intuitive function block programming
- Winders, PIDs, arithmetic, logic
- Remote i/o
- Easy interface to drives, PLCs, MMIs, etc.
- Plug-in terminals
- Free *savvy* system design tools
- Automated *savvy* updates

*smarty* is a DIN rail mounting processor with i/o options including 7 analog/digital universal inputs, 2 analog outputs, 3 digital i/o, 2 inputs for bidirectional encoders with marker and a RS232 or RS485 port.

*smarty* control schemes which are easily connected to drives, PLCs, operator stations, etc., are configured from function block libraries using the *drive.web savvy* system design tools (free with automated updates from [www.driveweb.com](http://www.driveweb.com))

### Bardac Corporation

40 Log Canoe Circle, Stevensville, MD 21666 USA [www.bardac.com](http://www.bardac.com) [www.driveweb.com](http://www.driveweb.com)  
Phone (410) 604-3400 or toll free USA 1-888-667-7333 (1-888-ON SPEED), Fax (410) 604-3500



*smarty* can be used either in networked systems or as a stand alone processor.

It's a great retrofit option for old unreliable winder control racks, analog PIDs, relay logic, timers, etc., and is more versatile, easier to program and much cheaper than using a PLC.

As a remote i/o device it is intelligent, cost effective and can easily interface to other devices via ModbusTCP/IP.