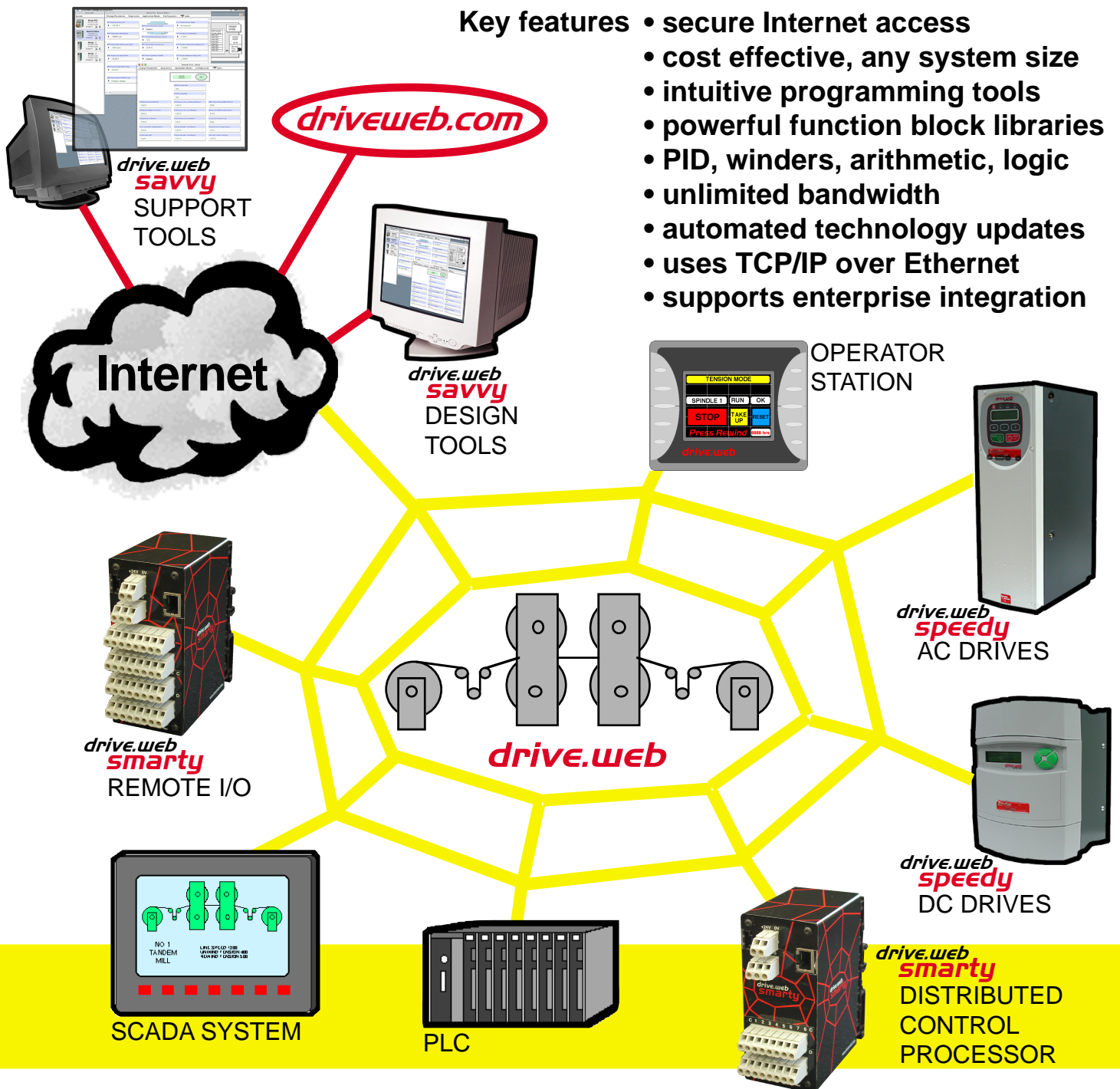


drive.web

smart, online, distributed control technology

drive.web is an entirely new Internet accessible distributed control technology from **Bardac Corporation** optimized for high performance AC and DC drive systems. After extensive testing in applications as diverse as printing presses, coating lines, slitter rewinders, dairies, non-woven fabric lines and pre-preg lines **drive.web** has proved to offer unequalled performance and complete reliability.

- Key features**
- secure Internet access
 - cost effective, any system size
 - intuitive programming tools
 - powerful function block libraries
 - PID, winders, arithmetic, logic
 - unlimited bandwidth
 - automated technology updates
 - uses TCP/IP over Ethernet
 - supports enterprise integration



drive.web smarty alone or networked

New concept in distributed control for drive systems

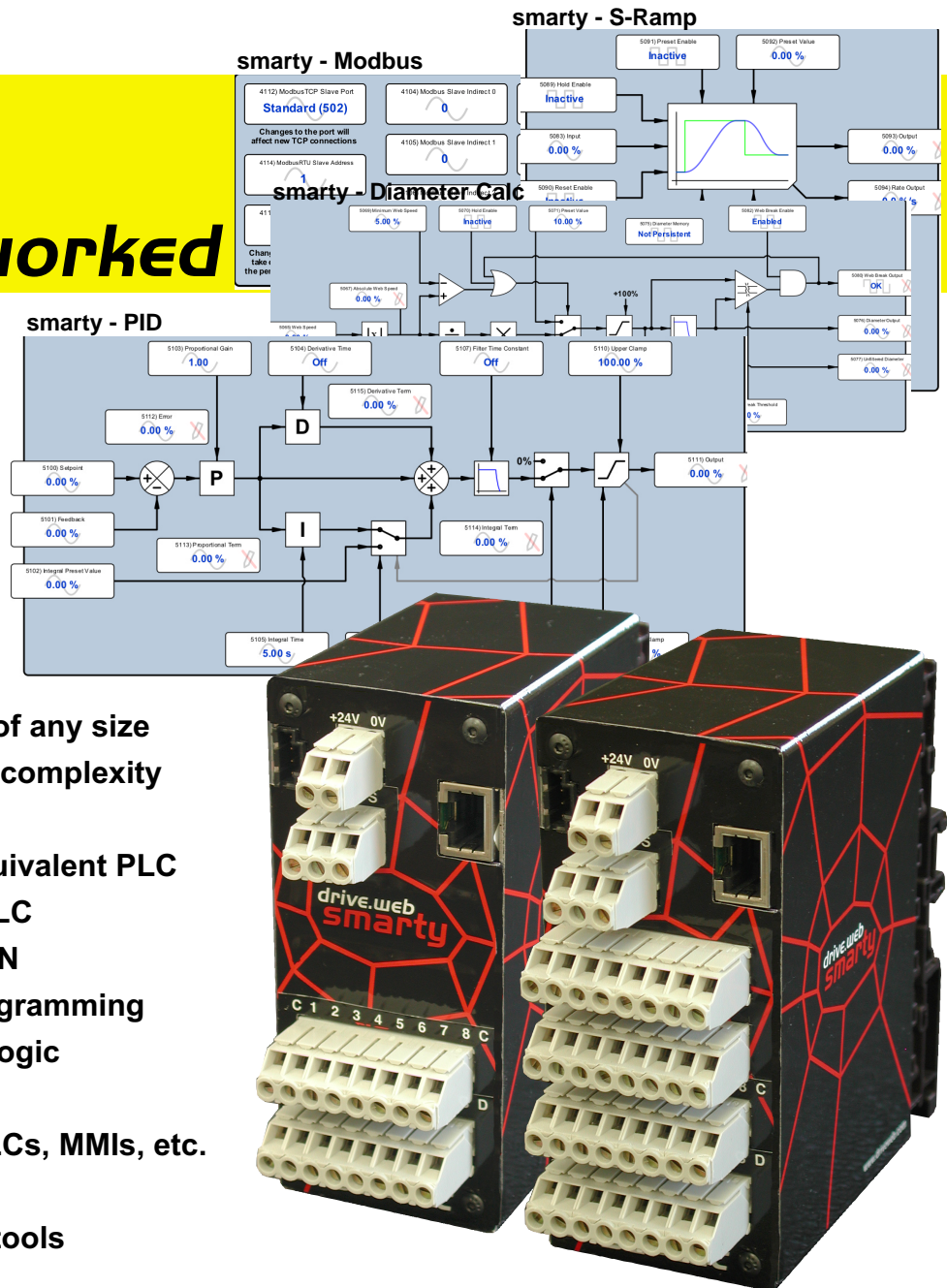
- Cost effective for systems of any size
- Build systems of unlimited complexity
- Internet multi-user access
- Less expensive than an equivalent PLC
- Easier to program than a PLC
- Stand alone or Ethernet LAN
- Intuitive function block programming
- Winders, PIDs, arithmetic, logic
- Remote i/o
- Easy interface to drives, PLCs, MMIs, etc.
- Plug-in terminals
- Free *savvy* system design tools
- Automated *savvy* updates

smarty is a DIN rail mounting processor with i/o options including 7 analog/digital universal inputs, 2 analog outputs, 3 digital i/o, 2 inputs for bidirectional encoders with marker and a RS232 or RS485 port.

smarty control schemes which are easily connected to drives, PLCs, operator stations, etc., are configured from function block libraries using the *drive.web savvy* system design tools (free with automated updates from www.driveweb.com)

Bardac Corporation

40 Log Canoe Circle, Stevensville, MD 21666 USA www.bardac.com www.driveweb.com
Phone (410) 604-3400 or toll free USA 1-888-667-7333 (1-888-ON SPEED), Fax (410) 604-3500



smarty can be used either in networked systems or as a stand alone processor.

It's a great retrofit option for old unreliable winder control racks, analog PIDs, relay logic, timers, etc., and is more versatile, easier to program and much cheaper than using a PLC.

As a remote i/o device it is intelligent, cost effective and can easily interface to other devices via ModbusTCP/IP.