

# drive.web smarty

## Options 30 & 31 High Voltage Isolator HVIO Module

### Installation & Operation Manual



#### Warning!

**Risk of electric shock resulting in injury or death!**

**This product is designed to be used with High Voltage Sources!**

**Only qualified personnel should proceed with installation or configuration!**



#### Warning!

It is essential that you read and understand this manual and the entire contents of the **smarty** manual **HG502573**, and the **savvy** software, "Help," menu before proceeding with your installation and product configuration. For more information and to download product manuals and software, go to [www.driveweb.com](http://www.driveweb.com).



#### Warning!

Your use of **savvy** software and **drive.web** devices may cause motors and machinery to power up with high voltages or start or operate in an unexpected, dangerous or lethal way. It is essential that you are completely familiar with **savvy** and all of the equipment and the system design you are working with before attempting to program or edit a program or connect to any live device.



#### Warning!

You are entirely responsible for the configuration or use of any **drive.web** product. By configuring or using these products you agree to indemnify and hold harmless Bardac Corporation, its' employees, directors, officers, distributors and resellers against the consequences of your configuration or use of the products.



#### Warning!

Information in this manual is subject to change without notice. You are responsible for verifying the proper operation of your **smarty** module. Special care must be taken after loading new firmware or installing new options.

# smarty HVIO - Designed and Assembled in the USA

**Note:** This Module is for new **smarty**s dw210 - dw215 ONLY! It should NOT be used with the original **smarty** dw110 - dw115.

**2 NO relay contacts** with shared relay common. **NEVER exceed 265VAC** at any output terminal.

NO Contact Ratings:      Resistive Load - 3A @ 30VDC, 3A @ 250VAC  
    Motor Load - 1.5A @ 120VAC, 0.9A @ 230VAC

**4 optically isolated AC digital inputs** with shared input common.

Optional input voltages:

**smarty** Option -30 115VAC, **132VAC Absolute Max.**

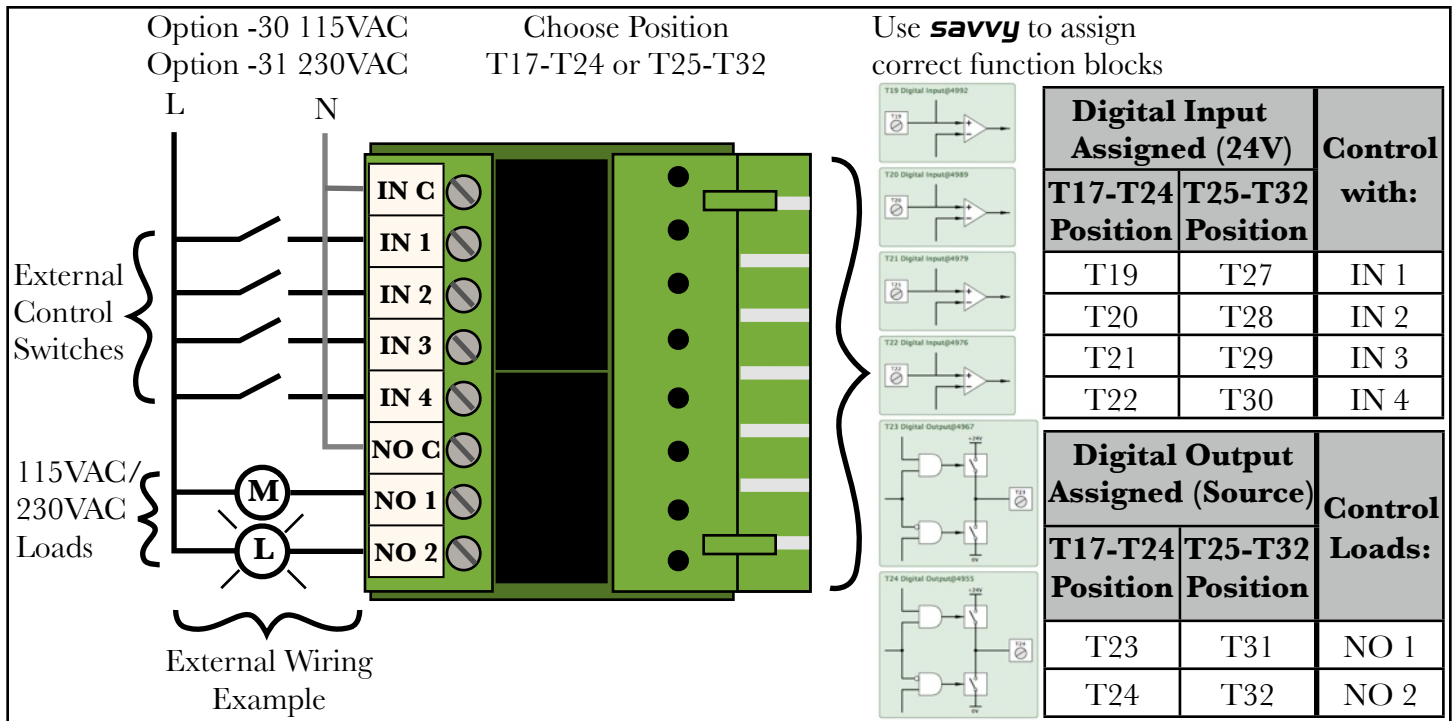
**smarty** Option -31 230VAC, **265VAC Absolute Max.**

OEM specials available on request.

Input **Voltage tolerance is +/-15%**. NEVER exceed the maximum Voltage.

Before installing the HVIO module, use **savvy** to assign correct Function Blocks in your **smarty**'s Function Block Engine. No other Function Blocks should be assigned to these terminals.

Plug into **smarty** terminal block header. Simply remove the standard terminal block plug at either T17-T24 or T25-T32 and firmly push the HVIO module into place.



**Note.** Input and Relay NO Commons are isolated from each other and from **smarty** 0V.

Refer to the **smarty** manual HG502573 for wiring and terminal tightening requirements.

**drive.web** 40 Log Canoe Circle, Stevensville, MD 21666 USA.  
 Ph. 410-604-3400, Fax 410-604-3500, [www.driveweb.com](http://www.driveweb.com)